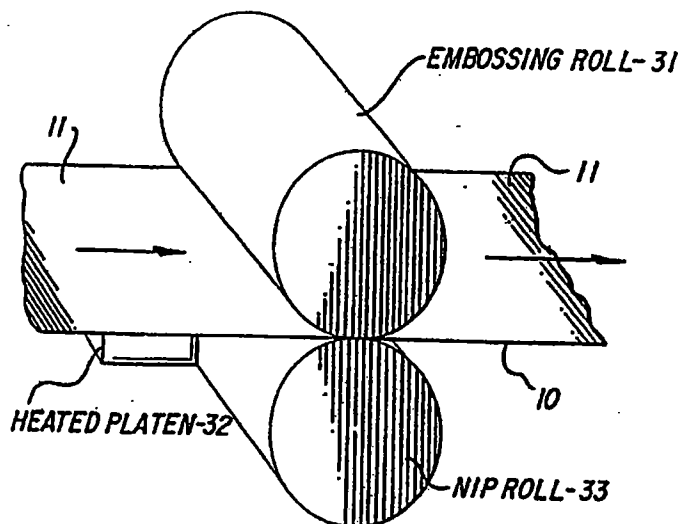




INTERNATIONAL APPLICATION PUBLISHED UNDER THE PATENT COOPERATION TREATY (PCT)

(51) International Patent Classification ⁴ : B29D 11/00, G02B 5/32, 27/44	A1	(11) International Publication Number: WO 89/03760 (43) International Publication Date: 5 May 1989 (05.05.89)
<p>(21) International Application Number: PCT/US88/03581</p> <p>(22) International Filing Date: 14 October 1988 (14.10.88)</p> <p>(31) Priority Application Numbers: 113,689 234,448</p> <p>(32) Priority Dates: 26 October 1987 (26.10.87) 19 August 1988 (19.08.88)</p> <p>(33) Priority Country: US</p> <p>(71) Applicant: DENNISON MANUFACTURING COMPANY [US/US]; 300 Howard Street, Framingham, MA 01701 (US).</p> <p>(72) Inventors: MIEKKA, Richard, G. ; 199 Goodman Hill Road, Sudbury, MA 01776 (US). BUSHMAN, Thomas, D. ; 142 Farm Street, Dover, MA 02030 (US). TAYLOR, Arthur, W. ; 109 Mendon Street, Uxbridge, MA 01567 (US). PARKER, Timothy ; 7 Tory Lane, Shrewsbury, MA 01545 (US). BENOIT, Dennis, R. ; 59 Halsey Road, Woonsocket, RI 02895 (US).</p>	<p>(74) Agent: JOSEPHS, Barry, D.; Dennison Manufacturing Company, Patent Department, 300 Howard Street, Framingham, MA 01701 (US).</p> <p>(81) Designated States: AT (European patent), AU, BE (European patent), BG, BR, CH (European patent), DE (European patent), DK, FI, FR (European patent), GB (European patent), HU, IT (European patent), JP, KR, LU (European patent), NL (European patent), NO, RO, SE (European patent), SU.</p> <p>Published With international search report. Before the expiration of the time limit for amending the claims and to be republished in the event of the receipt of amendments.</p>	

(54) Title: EMBOSSED OF COATED SHEETS



(57) Abstract

A method for decoration of paper or plastic sheeting by providing a coating (11) and then embossing the coated substrate (10). The coated sheet is heated to soften the coating (11) by use of a heated platen (32) or heated cylinders (21, 22) and infrared heaters (23). The softened sheet surface is then decorated using an embossing member (31) to provide a diffraction pattern or hologram. The embossment pattern has a lesser depth than the surface roughness of the sheet before embossing.

FOR THE PURPOSES OF INFORMATION ONLY

Codes used to identify States party to the PCT on the front pages of pamphlets publishing international applications under the PCT.

AT	Austria	FR	France	ML	Mali
AU	Australia	GA	Gabon	MR	Mauritania
BB	Barbados	GB	United Kingdom	MW	Malawi
BE	Belgium	HU	Hungary	NL	Netherlands
BG	Bulgaria	IT	Italy	NO	Norway
BJ	Benin	JP	Japan	RO	Romania
BR	Brazil	KP	Democratic People's Republic of Korea	SD	Sudan
CF	Central African Republic	KR	Republic of Korea	SE	Sweden
CG	Congo	LI	Liechtenstein	SN	Senegal
CH	Switzerland	LK	Sri Lanka	SU	Soviet Union
CM	Cameroon	LU	Luxembourg	TD	Chad
DE	Germany, Federal Republic of	MC	Monaco	TG	Togo
DK	Denmark	MG	Madagascar	US	United States of America
FI	Finland				

EMBOSSING OF COATED SHEETS

BACKGROUND

This is a continuation in part of applications Serial No. 113,689 filed October 26, 1987, Serial No. 234,448 filed August 19, 1988, and Serial No. 064,039 filed June 19, 1987.

1. Field of the Invention

This invention relates to the decoration of sheeting and more particularly to the decoration of materials such as standard, lightweight, cellulosic sheets. This invention also relates to the embossment of plastic film and more particularly the high speed embossment of such films with holographic patterns.

2. Description of the Prior Art

Cellulosic sheets are normally decorated by imprinting. To achieve special effects, this requires special inks and relatively complex printing procedures. In addition, some decorative effects cannot be realized by imprinting. Complex procedures limit the speed at which decoration can take place.

In addition, it is difficult to achieve shallow or surface embossment for cellulose sheets because of their grainy texture.

There are wide-spread applications for embossed plastic films. One example is provided by plastic films embossed with holographic patterns. These are used in applications where security sensitive items such as holographic labels are used.

SUBSTITUTE SHEET

-2-

A present practice is to emboss the plastic film with holographic patterns at a relatively slow rate of travel, on the order of 25-30 feet per minute. This is done by direct embossing of polyester film before or after metallization. The film is a single-heated, and softened somewhat, in order to accept an embossing pattern. If the film is softened to the point where it readily accepts the pattern there can be significant distortion of the film and consequently of the pattern embossed upon it. This has resulted in the need to emboss at relatively low temperatures, i. e., below the true softening temperature of the film, slow speeds and relatively high pressures. Such films are typically embossed at rates under about 50 feet per minute.

Another procedure involves a large number of rolls disposed in series and preheated before embossment. It is necessary to use a large number of preheated rolls for careful control over the temperature and the accomplishment of embossment without distortion of the plastic film. In order to reach a desired compromise between web speed and temperature, the leader of the plastic film that is to be embossed is fed through a complex series of rolls. The operation is initially started at a slow speed which is programmed to increase to a desired speed consistent with the temperature at which suitable embossment should take place without damaging the underlying plastic film. Not only is this complex but the final speed that is achievable in practice is in the range from about 30-50 feet per minute.

In a further procedure a film of polyvinylchloride is extruded. The film still retains some of its residual heat when the embossment takes place, but this is awkward. If there is too much of a delay between the time of extrusion and the time of embossment, the pattern is relatively poor. Another objection is that an extruder must be tied to an embossing arrangement.

SUBSTITUTE SHEET

It is accordingly an object of the invention to provide an alternative and simplified technique for the decoration of sheeting. A related object is to achieve special effects without printing. Another related object is to achieve decorative effects that cannot be realized by ordinary imprinting.

It is an object of the invention to facilitate the embossment of plastic film, particularly films that are to have holographic or diffraction pattern images. A related object is to facilitate the production of security sensitive material such as holographic labels.

Another object is to increase the rate at which plastic films can be embossed without significant distortion. A related object is to avoid the need for embossment at relatively low temperatures, slow speeds and relatively high pressures.

A further object of the invention is to eliminate the need for a large number of preheated rolls in order to control film temperature and accomplish the desired embossment without plastic film distortion.

In another object of the invention is to eliminate the need for embossment following extrusion, with the embossment relying upon the residual heat of extrusion in order to form a suitable pattern. A related object is to improve the quality of patterns associated with embossment following extrusion. Another related object is to eliminate the need for operating embossing apparatus in conjunction with an extruder.

A further object of the invention is to realize desired decorative effects for cellulosic sheeting, at high speed, despite the grainy texture.

SUBSTITUTE SHEET

-4-

SUMMARY OF THE INVENTION

In accomplishing the foregoing and related objects the invention provides for embossing the coating of a substrate, such as paper sheeting. The coating is a thermosensitive material such as polyethylene, polystyrene, polyvinyl chloride and like thermoplastics or semicured thermosets ("B" staged) which have discernible thermoplastic properties. The term thermoplastic, as used hereinafter, shall be construed to include such materials.

The paper advantageously is supplied with the coating of thermoplastic material. In the case of polyethylene, the coating is easily applied by extrusion. The thermoplastic coating may typically be applied in a solvent or water base by gravure or reverse roll methods.

When the coated sheet is heated, the outer layer of thermoplastic material becomes softened. To assure proper softening, adequate heating must be employed. This can take the form of a heated cylinder and additional heaters can be disposed away from the sheet surface. Infrared heaters can be used which operate at temperatures on the order of 1000^oF. The thermoplastic coating is heated to above its softening temperature before the embossing.

The decoration of the softened sheet surface is accomplished with an embossing member, which can take the form of a roll, rollers, belt or platen. The embossing member transfers an embossment pattern, which can be applied to the softened coating on the sheeting substrate. The result is a decorated sheet.

The embossment desirably has a diffraction pattern or hologram in which the depth is less than one micron and typically under 0.5 microns. When the substrate is paper, the coating that is embossed has a surface roughness with a depth, before embossing, greater than about 0.7 micron. It would be expected that with a depth of surface roughness that exceeds the depth of the diffraction pattern, a suitable transfer of the diffraction pattern to the

SUBSTITUTE SHEET

thermoplastic surface could not be achieved, or, if achieved, would at least be distorted in the area where the surface roughness exceeds the diffraction depth of the embossment member, particularly if the coating is heated to above its softening temperature.

In the practice of the invention it has been discovered surprisingly that a desirable diffraction pattern is produced. The reason for this result is not fully understood. In the present invention the softened coating is theorized to flow into the low depth areas of the substrate producing a more uniformly embossed surface. Other decorative effects can be achieved by the invention, for example, a matte background. In such a case, the decorating roller can be sandblasted or otherwise treated to produce a roughened surface, or the coating surface can be made matte prior to the embossing step. Upon completion of the process, with a matte background and a desired image elsewhere, the result is a desired, decorative material. The invention can be used for the application of diffraction gratings and holographic interference patterns by the decorating member. In addition, the coating surface can be metallized.

Another aspect of the invention is to use a substrate which is a heat-resistant plastic film. An aspect of the invention is that it provides a high speed embossable plastic film formed by the heat resistant base film and a thermoplastic coating upon the base film. The thermoplastic coating has a softening temperature below that of the heat resistant film. This provides a film which is embossable with distortion resistance at relatively high speeds. The heat resistant plastic can be polyethylene terephthalate and the thermoplastic coating illustratively is polyvinylchloride. An embossing pattern in holographic form can be formed on the thermoplastic layer which desirably contains a release agent such as hydroxylated polysiloxane.

SUBSTITUTE SHEET

-6-

In accordance with another aspect of the invention, the thermoplastic coating can be opaque or tinted to provide a lustrous embossing pattern. This gives the appearance of metallization. A side of the thermoplastic coating opposite embossment can be metallized directly or indirectly.

In accordance with a procedure for the high speed embossment of plastic film, a first step is to provide a heat resistant plastic film with a thermoplastic coating that has a softening temperature below the heat-distortion temperature of the heat resistant film. The thermoplastic is then heated to above its softening temperature and the softened thermoplastic layer is contacted with an embossing master.

The contacting step involves the contact of the thermoplastic layer with an embossing master, which is an embossing roller, a metallic die, or a metallized plastic film, on the roller. The master can be used to form a holographic or diffractive pattern in the thermoplastic layer.

In a high-speed embossable sheeting pursuant to the invention, the thermoplastic surface is adapted for diffraction embossment with a release agent preferably of hydroxylated polysiloxane blended within the thermoplastic. The sheeting may include an embossing pattern in the thermoplastic surface, which can be holographic. When the thermoplastic is opaque or tinted, the result is a lustrous embossing pattern. Where the thermoplastic is transparent, it can have a side opposite the embossing pattern which is metallized.

In a method of high-speed embossing of a thermoplastic surface coated on a paper, or heat-resistant plastic substrate, a thermoplastic surface containing a polysiloxane release agent is provided. The thermoplastic surface is heated to above its softening temperature; and the softened thermoplastic surface is contacted with an embossing master

SUBSTITUTE SHEET

-7-

at temperatures below the thermoplastic softening temperature. The presence of the release agent facilitates the release of the embossing master during embossing.

The thermoplastic can have opposed surfaces of which the surface facing away from a film is embossed and the surface facing toward the film is metallized. This provides an embossed metallizable member which is producible at relatively high speeds. The embossed thermoplastic can be imprinted with a compatible material to selectively eliminate the embossing pattern at prescribed print positions. The embossed thermoplastic surface can also be directly metallized. The process and embodiments of the invention make practicable high-speed embossing of sheeting.

DESCRIPTION OF THE DRAWINGS

Fig. 1 is a schematic drawing which shows extrusion coating;

Fig. 2 is a schematic which shows heating of the coated substrate of Fig. 1;

Fig. 3 is a perspective illustration of one form of embossment;

Fig. 4 is a perspective illustration of an alternative form of embossment;

Fig. 5a is a cross section of the laminate showing the surface roughness of the thermoplastic layer;

Fig. 5b is a cross section of the laminate after embossing;

Fig. 6 is a sectional view of a portion of a plastic film composite which is embossable at relatively high speeds in accordance with the invention;

Fig. 7 shows the composite of Fig. 6 after having been embossed by an embossing master;

SUBSTITUTE SHEET

-8-

Fig. 8 illustrates embossment of the composite of Fig. 6 where the embossed thermoplastic layer contains a release material to prevent the thermoplastic from sticking to the embossing master;

Fig. 9 illustrates a composite employing an opaque coating which has been embossed by a master to produce a lustrous, metallic-like embossment, without metallization; and

Fig. 10 is a composite in accordance with the invention where metallization has taken place on a surface opposed to an embossed thermoplastic surface.

DETAILED DESCRIPTION

Standard paper sheeting 10 is provided with a thermoplastic coating 11, for example, from an extrusion coater 120 (Fig. 1). A typical coating is of polyethylene. The thermoplastic coating 11 may also be applied in a solvent, or water base, using gravure or reverse roll methods.

Paper sheeting 10 thickness usually varies from about 40 microns to about 100 microns. The paper sheeting 10 can also be of cardboard stock having a thickness up to about 750 microns. (Note: 25.4 microns equal 0.001 inch). The thermoplastic coating 11 thickness advantageously is between about 1.5 microns to about 50 microns and can even be higher. The preferred range for the thermoplastic coating 11 thickness has been determined to be about 4 to 10 microns. This corresponds to a coating basis weight, e. g., of polyethylene, of between about 2 to 6 lbs. per 3,000 sq. ft. of coating applied.

Once the coating 11 is applied to the surface 10s of the paper substrate 10, the coated substrate is applied to a heated cylinder 21 (Fig. 2). This causes the substrate to become heated and to provide thermal transfer through the substrate to the upper outer layer of the plastic material 11.

SUBSTITUTE SHEET

-9-

To assure proper softening, additional heating can be employed (Fig. 2). Particularly suitable is infrared heater 23 which can be disposed away from the surface 11 that is being softened. Such a heater 23 is operated at heater surface temperatures of about 1000^oF. In addition, a second heated roll 22 may be employed.

The thermoplastic (thermally deformable) coating 11 just prior to embossing should be heated to well above its softening temperature. A practical limit to heating coating 11, however, is about 450^oF above which temperature paper begins to degrade. In operation, it has been determined that coating 11 should be heated to temperature typically between about 250^oF to 350^oF, which range represents a preferred range for most thermoplastic coatings to be embossed in the process of the present invention.

Once the outer layer 11 of plastic, such as polyethylene, has been softened, an embossing arrangement is employed for decoration (Fig. 3 or Fig. 4). In Fig. 3 the arrangement uses a heated platen 32, an embossing roll 31 and a pressure nip roll 33. The embossing roller 31 is a conventional embossing master which has the desired embossing pattern. This pattern is produced on the roller or rollers by engraving, embossing with a hard material or mounting patterned plastic films or metal films onto the surface of the roller. When the embossing roller 31 contacts the softened plastic surface 11, it transfers an embossment pattern to the coating 11 on the paper and simultaneously cools the coating so that it will not flow after being removed from the embossing roller. Thus, in the case of polyethylene, an embossed pattern becomes embedded in the polyethylene surface. The result is decorated, polycoated paper.

The temperature of the embossing master (embossing roller 31) must be below the softening temperature of thermoplastic coating 11. The temperature of embossing

SUBSTITUTE SHEET

-10-

roller 31, however, should not be so low as to harden coating 11 before the embossing is completed. It has been found that the preferred temperature for embossing roller 31 (embossing master) can vary depending on its thermal conductivity and specific heat, the embossing nip pressure, operating speed and the temperature to which coating 11 is heated immediately prior to contact with the embossing roller 31. Despite the large number of variables, applicant has determined that the embossing master (roller 31) preferred temperature in the process of the present invention is between about 20^oF to about 60^oF below the self-adhesive temperature of the thermoplastic coating 11. The self-adhesive temperature of the thermoplastic coating 11 is defined as the minimum temperature at which two layers of the coating (excluding any release agents added to the coating) will mutually adhere when pressed together. It has been determined that, in the context of the present process, this generally places the preferred embossing master (embossing roller 31) temperature between about 100^oF and 200^oF.

In figure 4, a take-off roller 34 has been added to allow longer contact of the embossed surface with embossing roll 31. The longer contact time allows better cooling of the embossed surface to facilitate easy parting of the web from the embossing roll and to prevent possible reflow of the coating and loss of the embossed pattern. The pressure nip roller 33 may be metal or be surfaced with a resilient material such as rubber. The force applied between the pressure nip roller 33 and the embossing roller 31 should range from about 50 pounds per lineal inch (PLI) to about 1000 PLI along the length of contact between these two rollers. The force applied between pressure nip roller 33 and embossing roller 31 may advantageously be 50 to 300 pounds per lineal inch but is more preferably in a range between about 100 to 500 pounds per lineal inch.

SUBSTITUTE SHEET

-11-

This latter range corresponds approximately to between about 400 to 2,000 pounds per square inch. (Contact pressure between two cylinders, or rollers, is often reported in pounds per lineal inch (PLI) rather than pounds per square inch because the exact width (i. e., area) of contact between two rollers is not usually known, but the force applied and contact length are generally known.)

The surface of the embossing master (roller 31) should be hard and distortion resistant so the embossing pattern is preserved during the embossing step. The opposing roller, i. e., nip roller 33, should be firm but also be somewhat resilient. This allows nip roller 33 to apply a nearly uniformly distributed pressure to the back of the sheeting being embossed. It has been determined that nip roller 33 can be quite firm, typically with a Shore A durometer hardness (ASTM D-412) reading of about 40 to about 60, or even somewhat higher, and yet not be so hard as to interfere with attainment of a uniformly distributed pressure on the back of the sheeting being embossed. The contact (dwell) time, wherein the embossing roller 31 and nip roller 33 contact the sheeting or plastic film to achieve embossing, is generally in the range of about 40 milliseconds (e. g., 60 ft./min. for a 1/2 inch wide contact area) to about 1 millisecond (e.g., 600 ft./min. for a 1/8 inch wide contact area).

The process of the present invention permits embossing of the sheeting herein described at high rates, typically higher than 100 ft./min. The process of the present invention permits embossing of the sheeting herein described at rates typically between 100 ft./min. to 800 ft./min., more typically between about 200 ft./min. to about 500 ft./min.

Various effects can be achieved. If the diffraction pattern is not to be continuous, a matte background can be provided by suitable modification of the embossing roller.

SUBSTITUTE SHEET

-12-

Alternatively, the embossing pattern can, in parts, be filled in with coating material, such as ink or clear lacquer, in those areas where no embossed decoration is desired.

Fig. 5A shows an enlargement of the substrate 10 which is paper sheeting with coating 11 prior to embossing. The substrate 10 has a roughened surface which creates in the structure, a variable thickness ranging between a maximum thickness t_1 , and a minimum thickness t_2 . The coating has a uniform depth d_1 . After embossing, as shown in Fig. 5B, the thickness, t_3 , is nearly uniform, but the coating depth now varies from d_2 to d_3 due to the calendaring effect. The embossing pattern depth d_4 is less than the original surface roughness (t_1-t_2) .

The surface roughness of the base paper 10, that is, the average peak-to-valley surface height variation, will typically vary from about 1.0 to about 3.0 microns for clay-coated papers suitable for coating. However, rougher paper sheets 10 may also be used. For example, sheets 10 having surface peak-to-valley roughness of up to 5.0 microns, or even higher may also be used, particularly if the thermoplastic coating 11 is applied at high solids content as by extrusion or hot-melt methods.

After the thermoplastic coating 11 is applied, but before embossing, the surface roughness (t_1-t_2) will typically be somewhat lower than the surface roughness of the base paper 10 alone. It has been determined that the surface roughness (t_1-t_2) , after the base coating 11 has been applied, may typically be about 70 to 90 percent of the original base paper roughness. Thus the surface roughness (t_1-t_2) , after coating 11 has been applied, may typically be between about 0.7 microns to about 3.0 microns and as high as about 5.0 microns. After embossing, the embossing depth illustrated schematically in Fig. 5b is less than the original coated-surface roughness (t_1-t_2) . The embossing

SUBSTITUTE SHEET

pattern depth d_4 will be less than 1.0 micron and may vary typically from about 0.1 micron to about 0.5 micron more usually between about 0.2 to about 0.4 micron.

With reference to the drawings, Fig. 6 illustrates a composite film which is embossable at speeds exceeding 400 feet per minute with good results. The composite film 50 of Fig. 6 is formed by a heat resistant plastic film 110 and an overlying thermoplastic coating 12 containing a release agent. The thermoplastic coating has an outer surface or a face 12f which can receive an embossment as shown in Fig. 7. When a heat-resistant plastic film 110 is used as the substrate, as in Fig. 6, instead of, or in the absence of a paper substrate, the surface of the thermoplastic coating 12 thereon may be smooth. In this case, the depth of the embossment may be greater than the depth of surface roughness of thermoplastic coating 12.

The thermoplastic coating 12 has a softening temperature which is less than the softening temperature of the heat-resistant plastic film 110. All the process conditions aforementioned with respect to the embossing of thermoplastic coating 11 on paper sheeting 10 apply equally to the embossing of the composite plastic film 50 as shown in Figs. 6 to 10. However, in the case of composite plastic film 50, the coating 12 should soften at least 10°F and, preferably 40°F and even more below the heat distortion temperature of the support film, namely, heat-resistant plastic film 110. The composite plastic film 50 should be preheated before embossing to a temperature above the softening temperature of thermoplastic coating 12, which temperature is also below the heat distortion temperature of the heat-resistant plastic film 110. Thus, thermoplastic composite plastic film 50 should be preheated to a temperature before embossing, which is between the softening temperature of coating 12 and the heat distortion temperature of heat-resistant plastic film 110. All other

SUBSTITUTE SHEET

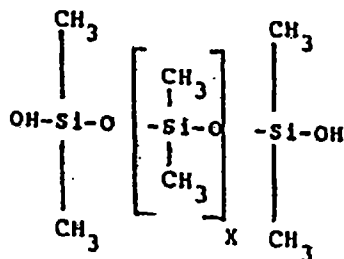
-14-

process conditions described with respect to the coated paper sheeting 10 as referenced in Figs. 1-4 apply as well to the composite plastic film 50 and variations thereof illustrated in Figs. 6-10.

In Fig. 7 an embossing master 20 is shown after having been applied to the thermoplastic coating 12k and separated to yield an embossed surface 12e. The composite formed by the film 110 at the coating 12k can be embossed at a relatively rapid rate by the embossing master 20. The embossing master 20 may take the form of a pattern stamped embossing roller 31 or rotary metallic die or a metallized film covering roller 31..

In order to avoid any tendency for the thermoplastic coating 12 of Fig. 6 to stick to the embossing master 20 of Fig. 7, the thermoplastic coating is provided with a release agent to yield the modified coating 12r illustrated in Fig. 8. The presence of the release agent allows higher speeds to be achieved during embossment.

Although other release additives are possible, a preferred release additive for the thermoplastic coating is a polysiloxane preferably hydroxylated polysiloxane. One form of such a polysiloxane is available from the Dow Corning Corporation under the designation Q4-3667. This material has the following chemical formula:



SUBSTITUTE SHEET

-15-

In addition to providing release properties from an embossing master, the material permits the subsequent application of additional coatings, which may be functional or decorative, to the embossed surface without interfering with the adhesion of these coatings. These coatings include vacuum deposited metal and solvent or aqueous borne coatings applied by conventional coating methods.

The release material in conjunction with the embossment procedure herein described is advantageously applied to any situation where a high temperature carrier or a temperature resistant carrier is used in conjunction with a lower temperature plastic coating. It is desirable to maintain a suitable temperature differential between the plastic coating 12 and the embossing master 20. The embossing master 20 temperature should be below the softening temperature of the coating so that rapid embossing takes place and reflow of the plastic is avoided after separation of the coating.

Other procedures are illustrated in Figs. 9 and 10. In Fig. 9 solid opaque or tinted colors can be embossed directly to give the luster and effect of metallization without actual metallization. This involves the use of opaque dyes or pigments to produce a brilliant diffraction pattern without metallization. Although in Fig. 9 the embossing master 20 is depressed into the coating 12q, it is also possible to cast the coating 12q on the master 20.

Another embodiment is shown in Fig. 10 where a metallized surface 13 has a clear overcoat structure, which is illustratively formed by the heat-resistant film 110 and the coating 12k. The coating 12k is diffraction embossed. This gives the appearance that is substantially similar to that which is achieved by embossing followed by metallization. A variation of the embodiment shown in Fig. 10 is to have the metallic layer 13 sandwiched between heat-resistant film 110 and thermoplastic coating 12k. A

SUBSTITUTE SHEET

-16-

paper substrate could optionally be included under heat-resistant film 110, i. e., film 110 would be first coated onto the paper substrate. This variation also produces the appearance similar to that achieved by embossing followed by metallization. The advantage of such embodiments is that the embossment can take place in line with printing. The metallization step can be performed before the embossment, and it is not necessary to perform it after the embossment. In addition, when the embossing pattern is in the coating, it is possible to control the pattern at will by simply overcoating in accordance with a desired pattern that has the same, or nearly the same, refractive index as the embossed coating because the overcoated areas then are now devoid of the embossment. This permits control over the embossing pattern in a very simple way without requiring a change in the basic embossment that is used with metallic films.

Example 1. (Solvent Borne Coating)

A coating is made consisting of 200 parts by weight of polystyrene in a suitable solvent such as toluene. To this polystyrene solution 1 part by weight of polysiloxane is added and dispersed. This coating is applied by conventional coating methods, such as rotogravure, to a cellulose substrate and dried using forced hot air until all toluene is removed from the coating resulting in a continuous film of polystyrene on the cellulose substrate. Desired coat weight is 2.0 - 4.0 lbs. of dried polystyrene per 3,000 square feet of cellulose substrate. Embossment can take place immediately after drying while the coating remains hot or can be achieved by subsequent re-heating and embossment of the coating on the cellulose substrate.

Example 2. (Water Borne Coating)

A mixture of 200 parts by weight of a styrenated acrylic emulsion and 1 part by weight of polysiloxane is made. This coating is applied to a cellulose substrate by

SUBSTITUTE SHEET

-17-

conventional coating techniques, such as roll coating, and dried using forced hot air or other means to raise the temperature of the liquid to remove all water until a continuous film of the coating on the cellulose substrate is achieved. Desired coat weight is 2.0 - 5.0 lbs. of dried coating per 3,000 square feet of cellulose substrate. Embossment can occur immediately after drying while the coating is hot or can be achieved by subsequent re-heating and embossment of the coating.

Other aspects of the invention will be apparent to those of ordinary skill in the art. The invention therefore is not intended to be limited to the preferred embodiments described herein but rather is defined by the claims and equivalents thereof.

SUBSTITUTE SHEET

-18-

CLAIMS

What Is Claimed Is:

1. The method of decorating sheeting which comprises the steps of:
 - (A) providing a substrate;
 - (B) providing a coating of thermoplastic material on a surface of said substrate;
 - (C) heating the coating to a temperature above its softening temperature;
 - (D) embossing the thermoplastic coating on said substrate with a diffraction or holographic pattern;
2. The method of claim 1 wherein the substrate is paper and the depth of surface roughness of said substrate before embossing exceeds the depth of the embossment.
3. The method of claim 2 wherein the roughness of said substrate exceeds one micron and the depth of said embossment is less than one micron.
4. The method of claim 2 wherein the depth of surface roughness of said coating is greater than 0.7 microns, and the depth of the embossment is less than the depth of surface roughness of the coating before embossing.
5. The method of claim 1 wherein the embossing of said thermoplastic coating is achieved with an embossing member which comes into pressure contact with said coating.
6. The method of claim 5 wherein the embossing member is selected from the group consisting of a roller, belt, web, platen and metallic die and said embossing member is at

SUBSTITUTE SHEET

-19-

a temperature below the softening temperature of the thermoplastic coating when it comes into pressure contact with said coating.

7. The method of claim 5 wherein the thermoplastic coating on said substrate is heated before embossing, and wherein said thermoplastic coating is above its softening temperature at the start of the embossing step and the embossment member during embossing is at a temperature below the softening temperature of said coating.

8. The method of claim 7 wherein the embossing member during embossing is at a temperature below the self-adhesive temperature of the thermoplastic coating.

9. The method of claim 7 wherein the embossing member during embossing is at a temperature between about 100 to 200^oF.

10. The method of claim 7 wherein the embossing is accomplished by passing said sheeting being embossed between an embossing roller and a nip roller, and wherein the force applied between the embossing roller and nip roller during embossing is in the range between about 50 to 1000 pounds per lineal inch along the length of contact of said rollers.

11. The method of claim 10 wherein the embossing force applied between the embossing roller and nip roller is between about 100 to 500 pounds per lineal inch along the length of contact of said rollers.

12. The method of claim 10 wherein the embossing is accomplished at speeds of between about 100 to 800 ft./min. of said sheeting.

SUBSTITUTE SHEET

-20-

13. The method of claim 7 wherein the thermoplastic coating before embossing is in a range between about 250°F and 350°F.

14. A method as in claim 7 wherein the heating of said coating before embossing is accomplished with at least one heater not contacting the coating.

15. A method as in claim 14 wherein at least one of said heaters not contacting the coating is an infrared heater and operates at a heater surface temperature of about 1000°F.

16. The method of claim 7 further including the step of metallizing the embossed coating.

17. The method of claim 2 wherein the substrate is paper having a depth of surface roughness between about 1.0 and 5.0 microns.

18. The method of claim 7 wherein the depth of the embossment is between about 0.1 to about 0.5 microns.

19. The method of claim 7 wherein the substrate is a heat-resistant plastic film supporting the thermoplastic coating.

20. The method of claim 19 wherein the thermoplastic coating has a softening temperature below the temperature wherein the heat-resistant plastic film begins to distort.

21. The method of claim 20 wherein the temperature of the thermoplastic coating during embossing is above its softening temperature but below the heat-distortion temperature for the supporting heat-resistant plastic film.

SUBSTITUTE SHEET

-21-

22. The method of claim 1 wherein the coating of thermosensitive material contains a polysiloxane release agent.

23. The method of claim 22 wherein the embossing is achieved with an embossing member comprising a metallized plastic film.

24. The method of claim 7 further comprising the step of filling in said embossed pattern at least in parts with an ink or lacquer coating material.

25. The method of claim 22 wherein said thermoplastic coating has opposed surfaces of which an outer surface is embossed and an underlying surface is metallized; thereby to provide an embossed metallized member at relatively high speeds.

26. The method of claim 22 wherein the thermoplastic coating contains an opaque or tinted material; thereby to permit the embossed coating to have a metallic-like lustre.

27. The method of claim 11, wherein the contact time in which the embossing roller and nip roller contact the sheeting to effect embossing, is in a range between about 1 millisecond to about 40 milliseconds.

28. The method of claim 10 wherein the thermoplastic coating is a thermoplastic selected from the group consisting of polyethylene, polyvinylchloride, styrene acrylate, styrene butadiene, polyvinylacetate and polystyrene.

SUBSTITUTE SHEET

-22-

29. High-speed embossed sheeting comprising:
a supporting substrate;
a thermoplastic coating upon said substrate;
a release agent in said thermoplastic
coating thereby to increase resistance to sticking at
relatively high embossing speeds; and an embossed pattern on
the thermoplastic coating.

30. Sheeting as defined in claim 29 wherein said
thermoplastic is selected from the group consisting of
polyethylene, polyvinylchloride, styrene acrylate, styrene
butadiene, polyvinylacetate and polystyrene.

31. Sheeting as defined in claim 29 wherein said
substrate is paper, and the embossment is present in the
coating after embossment to a depth which is less than the
depth of surface roughness of the coating before embossment.

32. Sheeting as in claim 29 wherein the embossed
pattern was produced on the thermoplastic coating by heating
the coating to a temperature above its softening point, and
contacting the coating with an embossing member at a
temperature below the softening temperature of the coating
while said coating is initially at a temperature above its
softening point.

33. Sheeting as defined in claim 29 wherein said
embossing pattern is holographic.

34. Sheeting as defined in claim 29 wherein said
thermoplastic is opaque or tinted;
thereby to provide a lustrous embossing pattern.

SUBSTITUTE SHEET

-23-

35. Sheeting as defined in claim 29 where said thermoplastic is transparent and has a side opposite said embossing pattern which is directly or indirectly metallized.

36. Sheeting as in claim 31 wherein the depth of the surface roughness of the thermoplastic coating before embossing is greater than 0.7 microns and the depth of the embossment is between about 0.1 to 0.5 microns.

37. Sheeting as defined in claim 29 wherein the substrate comprises a heat-resistant plastic film and wherein the softening temperature of the thermoplastic coating is below the distortion temperature of the heat-resistant plastic film.

38. Sheeting as in claim 37 wherein the heat-resistant plastic film comprises polyethylene terephthalate.

39. Sheeting as defined in claim 37 wherein the thermoplastic coating is opaque or tinted;
thereby to provide a lustrous embossing pattern which appears metallized.

40. Sheeting as in claim 37 wherein said thermoplastic coating is transparent and has a side opposite said embossing pattern which is directly or indirectly metallized.

41. Sheeting as in claim 29 wherein the release agent is a polysiloxane.

42. Sheeting as in claim 29 wherein the release agent is a hydroxylated polysiloxane.

SUBSTITUTE SHEET

-24-

43. Sheeting as in claim 37 wherein said sheeting includes a metallic layer between the heat-resistant plastic film and the thermoplastic coating.

44. Sheeting as in claim 29 wherein the embossed pattern is at least in parts filled in with ink or lacquer coating material.

SUBSTITUTE SHEET

FIG. 1

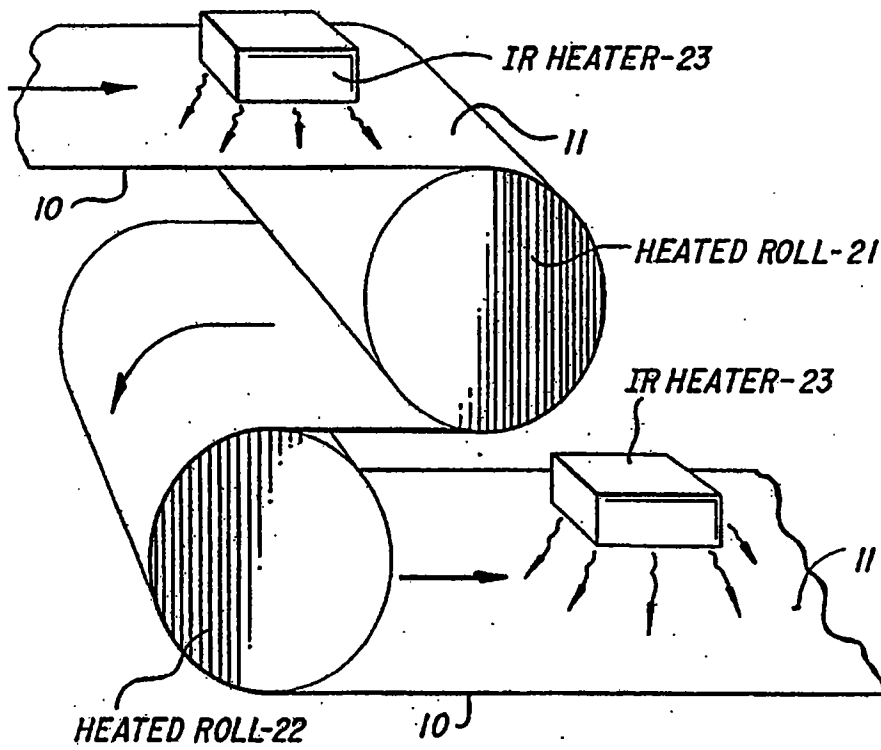
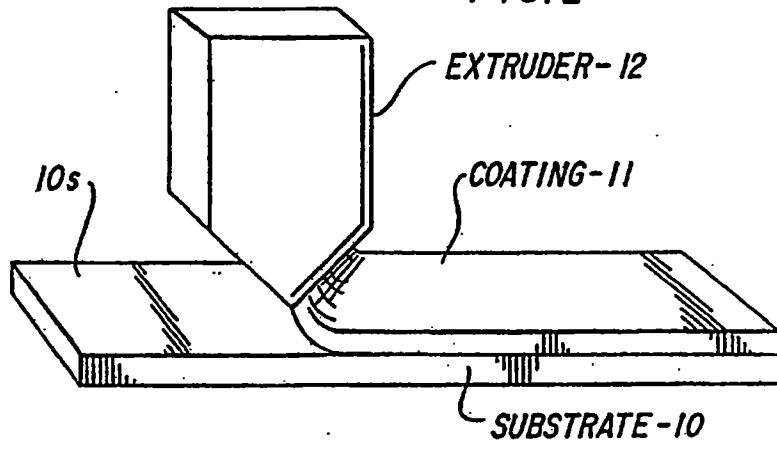


FIG. 2

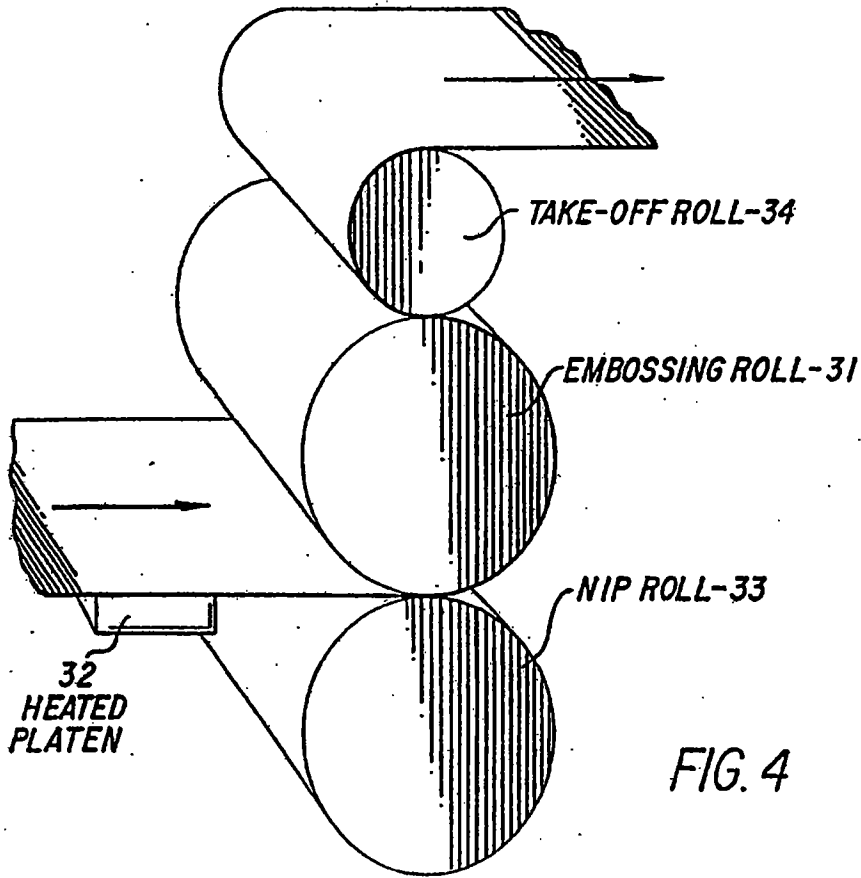
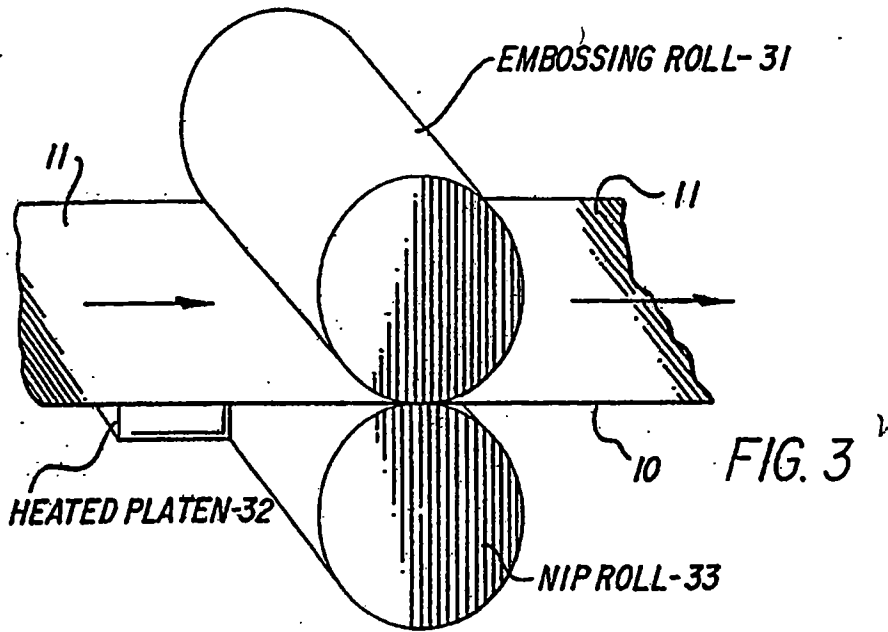


FIG. 5a

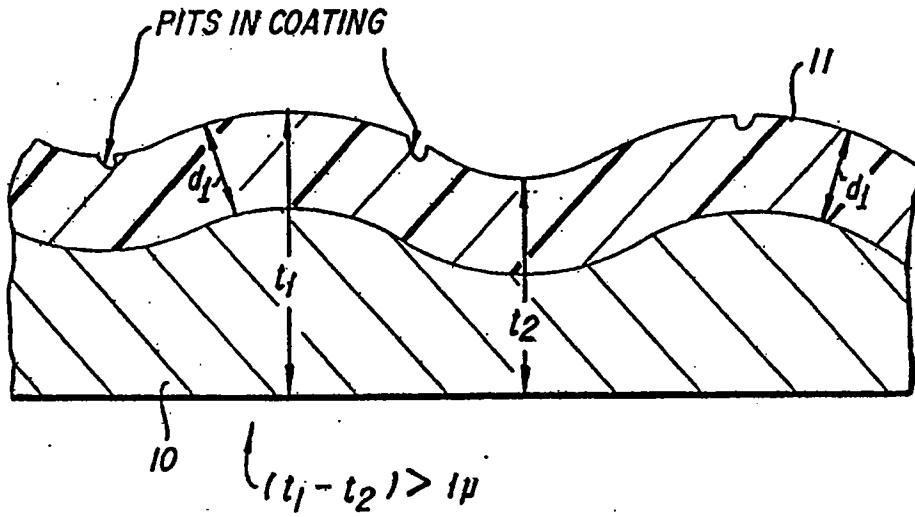


FIG. 5b

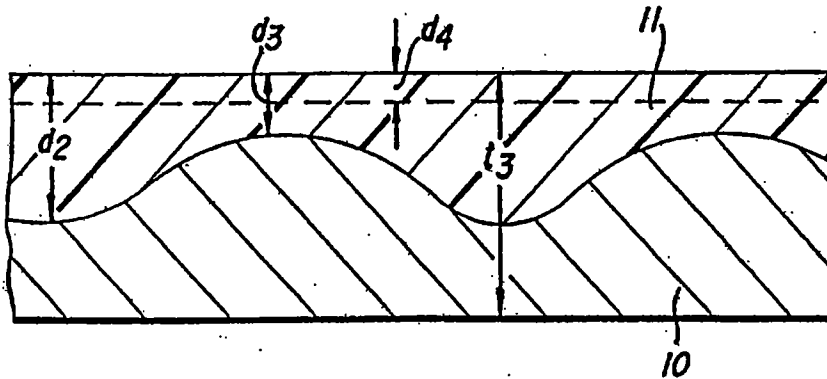


FIG. 6

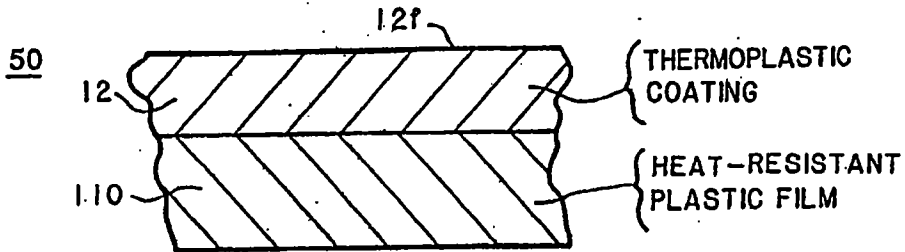


FIG. 7

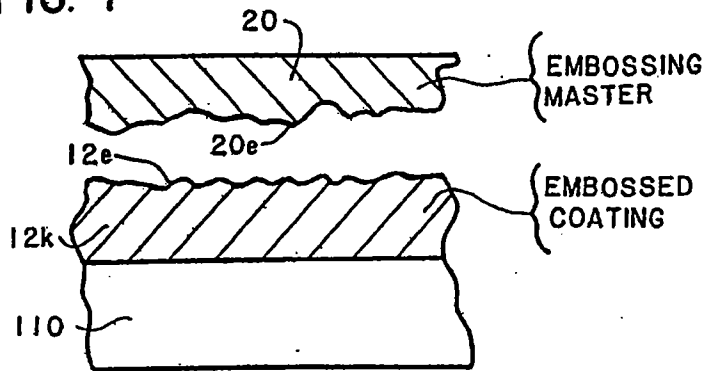


FIG. 8

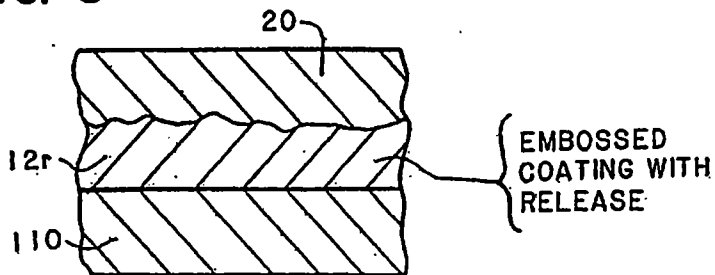


FIG. 9

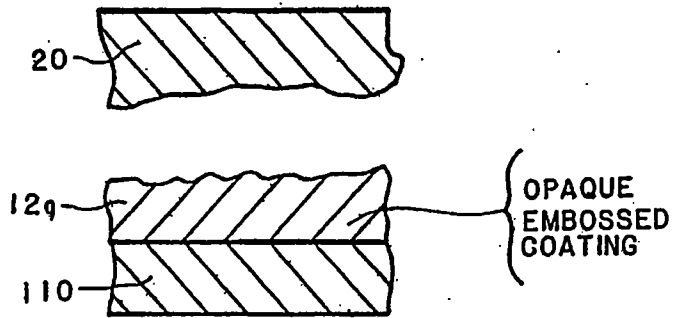
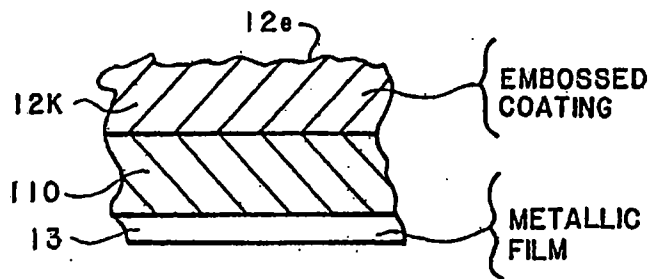



FIG. 10



INTERNATIONAL SEARCH REPORT

International Application No.

PCT/US88/03581

I. CLASSIFICATION OF SUBJECT MATTER (If several classification symbols apply, indicate all) ⁶		
According to International Patent Classification (IPC) or to both National Classification and IPC		
IPC (4): B29D 11/00; G02B, 5/32, 27/44		
U.S. Cl. 264/1.3; 350/3.61, 3.65; 428/172, 173		
II. FIELDS SEARCHED		
Minimum Documentation Searched ⁷		
Classification System	Classification Symbols	
U.S.	264/1.3, 1.7; 284 350/3.61, 3.65 428/141, 156, 172, 173	
Documentation Searched other than Minimum Documentation to the Extent that such Documents are Included in the Fields Searched ⁸		
III. DOCUMENTS CONSIDERED TO BE RELEVANT ⁹		
Category ¹⁰	Citation of Document, ¹¹ with indication, where appropriate, of the relevant passages ¹²	Relevant to Claim No. ¹³
Y	US, A, 3,535,413 (GLENN, JR.) 20 October 1970, See column 3, line 56 to column 4, line 25.	1-44
Y	US, A, 4,547,141 (RUSCHMANN) 15 October 1985, See column 2, lines 3-12.	16, 25, 35, 40, 43
Y	US, A, 3,882,207 (HANNAN ET AL) 06 May 1975, See column 3, lines 46-58, and column 7, lines 9-13.	28, 30, 38
Y, P	US, A, 4,744,936 (BITTNER, JR.) 17 May 1988, See column 3, lines 12-22 and column 4, lines 38-42.	22, 23, 25, 29-44
Y	US, A, 4,500,484 (GREGG) 19 February 1985, See column 4, line 55 to column 5, line 24.	16
Y	US, A, 3,758,649 (FRATTAROLA) 11 September 1973, See column 6, lines 60-63.	1-44
<p>¹⁰ Special categories of cited documents: ¹⁰</p> <p>"A" document defining the general state of the art which is not considered to be of particular relevance</p> <p>"E" earlier document but published on or after the international filing date</p> <p>"L" document which may throw doubts on priority claim(s) or which is cited to establish the publication date of another citation or other special reason (as specified)</p> <p>"O" document referring to an oral disclosure, use, exhibition or other means</p> <p>"P" document published prior to the international filing date but later than the priority date claimed</p> <p>"T" later document published after the international filing date or priority date and not in conflict with the application but cited to understand the principle or theory underlying the invention</p> <p>"X" document of particular relevance; the claimed invention cannot be considered novel or cannot be considered to involve an inventive step</p> <p>"Y" document of particular relevance; the claimed invention cannot be considered to involve an inventive step when the document is combined with one or more other such documents, such combination being obvious to a person skilled in the art.</p> <p>"&" document member of the same patent family</p>		
IV. CERTIFICATION		
Date of the Actual Completion of the International Search	Date of Mailing of this International Search Report	
02 February 1989	22 MAR 1989	
International Searching Authority	Signature of Authorized Officer	
ISA/US	 JAMES B. LOWE	

FURTHER INFORMATION CONTINUED FROM THE SECOND SHEET

Y	JP, A, 62-71615 (DAINIPPON PRINTING KK) 02 April 1987, See entire document.	22, 23, 25, 29-44
Y	JP, A, 62-101438 (DAINIPPON PRINTING KK) 11 May 1987, See entire document.	16, 25, 35, 40, 43
Y	JP, B2, 55-13030 (SANYO ELECTRIC KK) 05 April 1980, See entire document.	1-44
A	US, A, 3,535,417 (HENKES, JR.) 20 October 1970.	1-44

V. OBSERVATIONS WHERE CERTAIN CLAIMS WERE FOUND UNSEARCHABLE ¹

This International search report has not been established in respect of certain claims under Article 17(2) (a) for the following reasons:

1. Claim numbers _____, because they relate to subject matter ¹² not required to be searched by this Authority, namely:
2. Claim numbers _____, because they relate to parts of the international application that do not comply with the prescribed requirements to such an extent that no meaningful international search can be carried out ¹³, specifically:
3. Claim numbers _____, because they are dependent claims not drafted in accordance with the second and third sentences of PCT Rule 6.4(a).

VI. OBSERVATIONS WHERE UNITY OF INVENTION IS LACKING ²

This International Searching Authority found multiple inventions in this international application as follows:

1. As all required additional search fees were timely paid by the applicant, this international search report covers all searchable claims of the international application.
2. As only some of the required additional search fees were timely paid by the applicant, this international search report covers only those claims of the international application for which fees were paid, specifically claims:
3. No required additional search fees were timely paid by the applicant. Consequently, this international search report is restricted to the invention first mentioned in the claims; it is covered by claim numbers:
4. As all searchable claims could be searched without effort justifying an additional fee, the International Searching Authority did not invite payment of any additional fee.

Remark on Protest

- The additional search fees were accompanied by applicant's protest.
- No protest accompanied the payment of additional search fees.